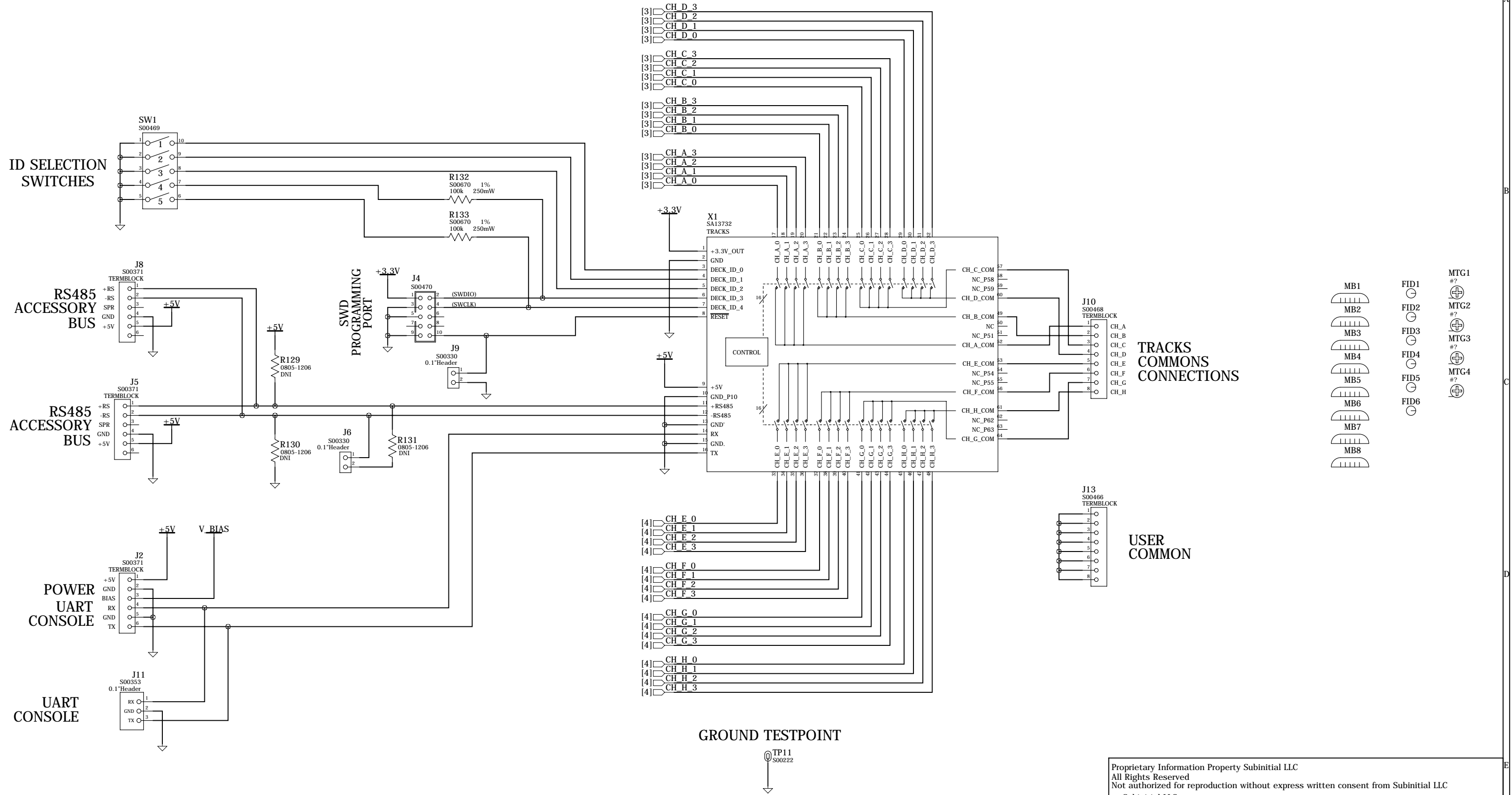


Tracks Breakout TRACKS_MODULE

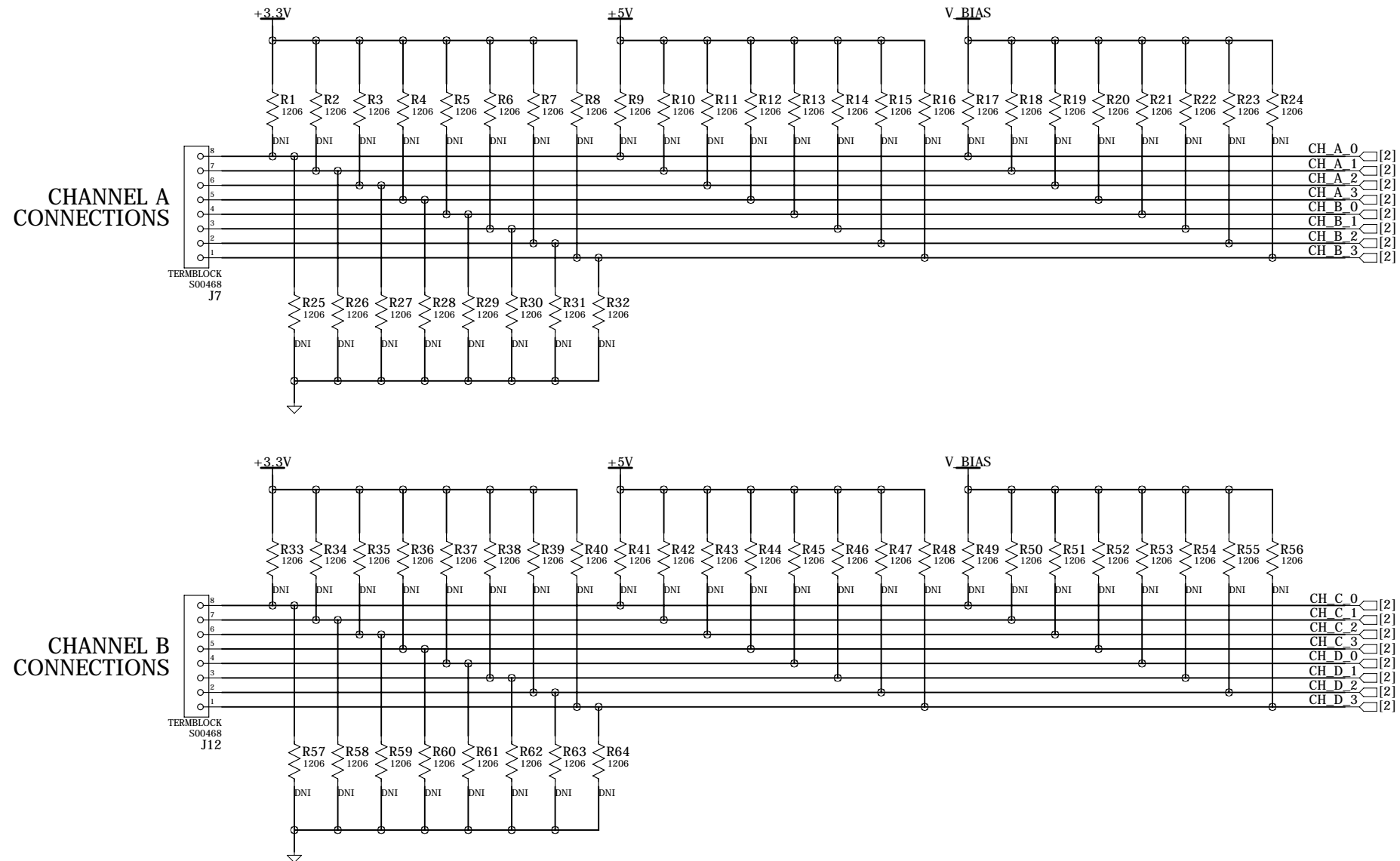


Proprietary Information Property Subinitial LLC
 All Rights Reserved
 Not authorized for reproduction without express written consent from Subinitial LLC
 Subinitial LLC

File:
 Sheet:
TTRACKS BREAKOUTSD00151

SIZE: B	Date: 8/9/2015	REV: D
KiCad E.D.A. eeschema (2013-03-31 BZR 4008)-stable		Id: 2 / 4

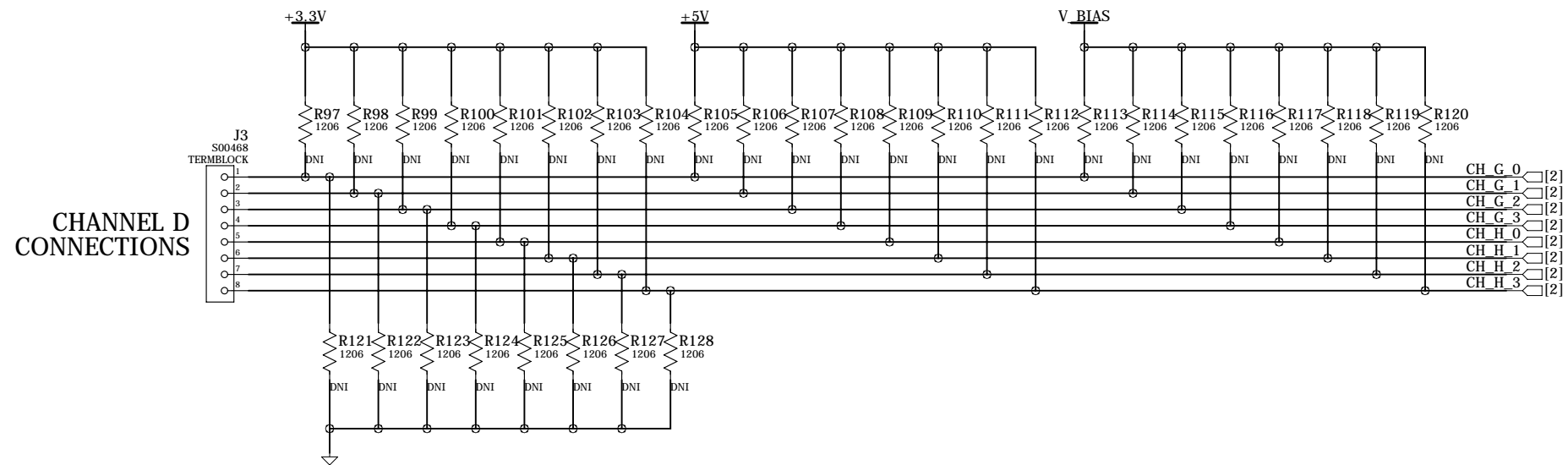
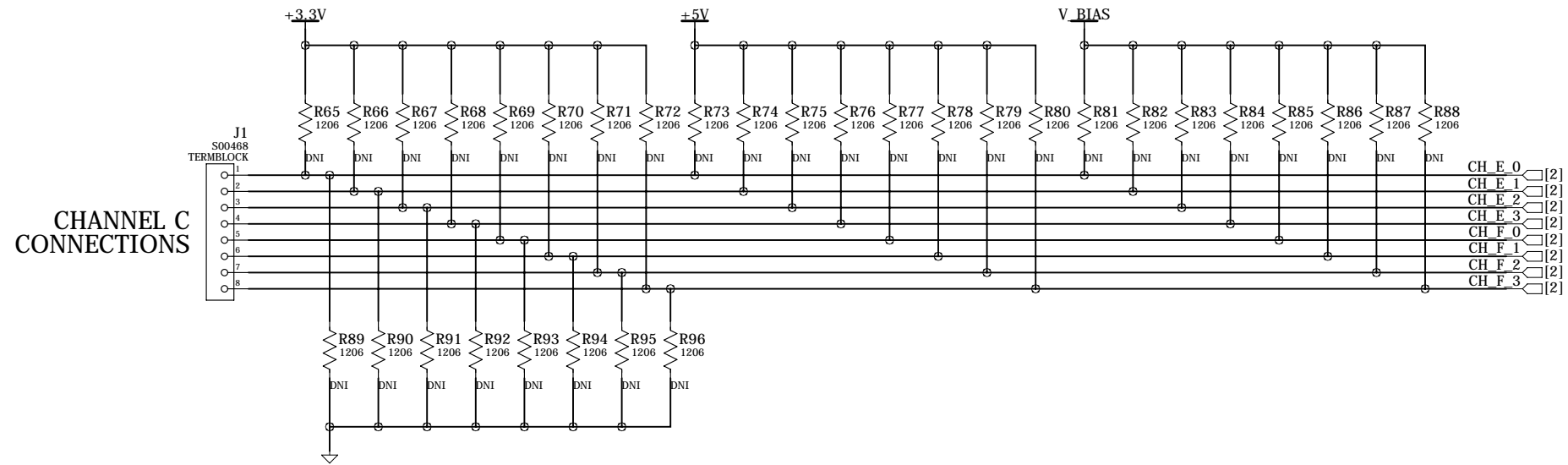
Tracks Breakout MUX_A



Proprietary Information Property Subinital
 All Rights Reserved
 Not authorized for reproduction without express written consent from Subinital.
 Subinital LLC

File:	
Sheet:	
TRACKS BREAKOUTSD00151	
SIZE: B	Date: 8/9/2015
KiCad E.D.A. eeschema (2013-03-31 BZR 4008)-stable	REV: D
	Id: 3 / 4

Tracks Breakout MUX_B



Proprietary Information Property Subinitial
All Rights Reserved
Not authorized for reproduction without express written consent from Subinitial.
Subinitial LLC

File:
Sheet:

TRACKS BREAKOUTSD00151

SIZE: B Date: 8/9/2015

REV: D

KiCad E.D.A. eeschema (2013-03-31 BZR 4008)-stable

Id: 4 / 4