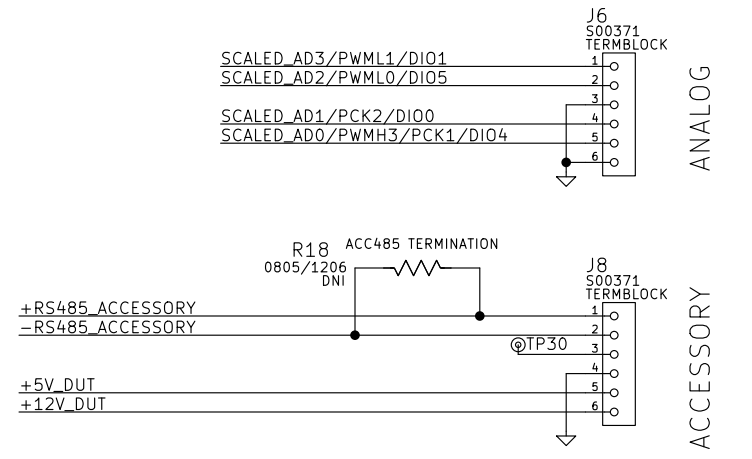
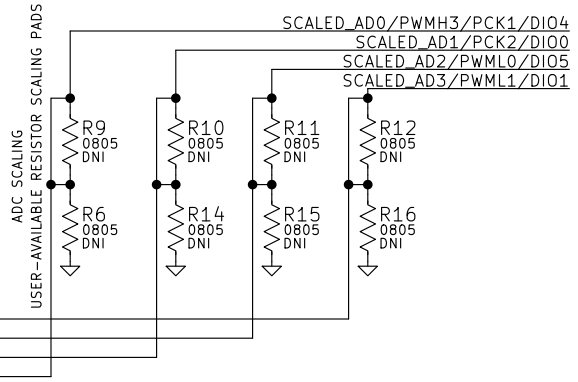
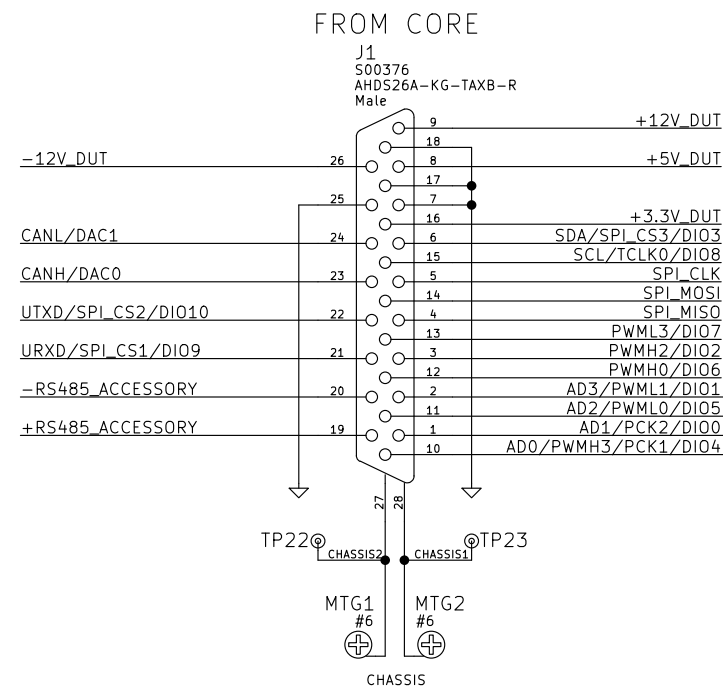
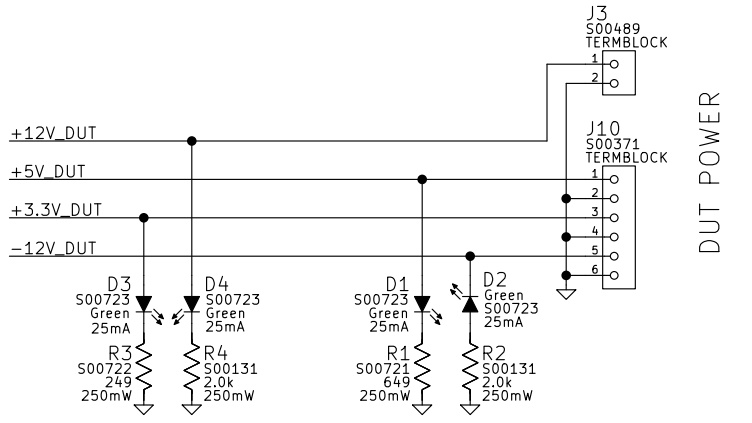
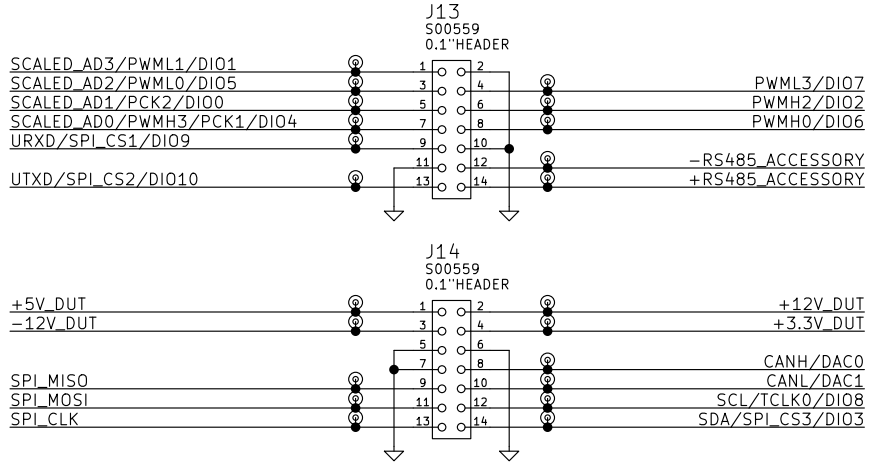


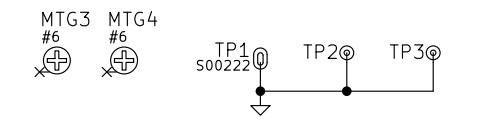
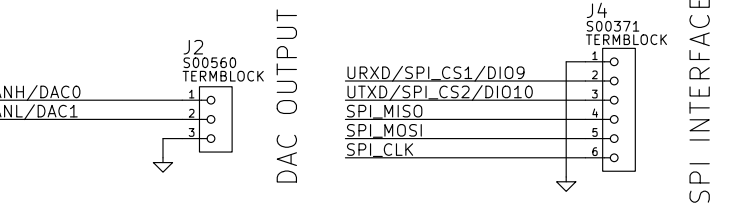
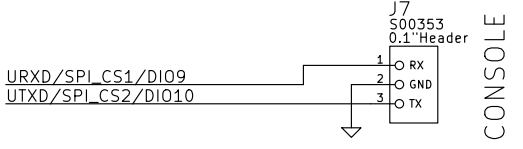
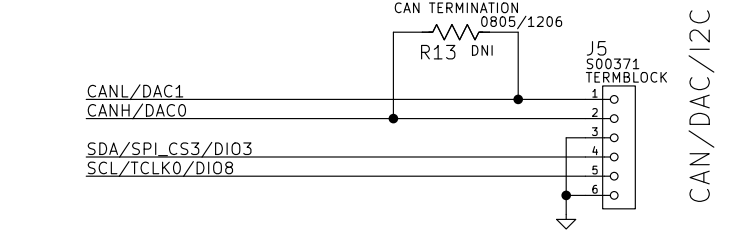
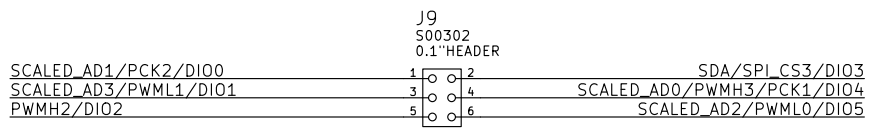
STACKS CORE BREAKOUT




0.1" PITCH PROTOTYPING HEADERS



0.1" DIO PROTOTYPING HEADER



Proprietary Information Property Subinital LLC
 All rights reserved
 Not authorized for reproduction without express written consent.
SUBINITIAL LLC
 Sheet: /



Title: Stacks Core Breakout Board

Size: B	Date: 2016-01-11	Revision: D
SD00140		Sheet 1 of 1