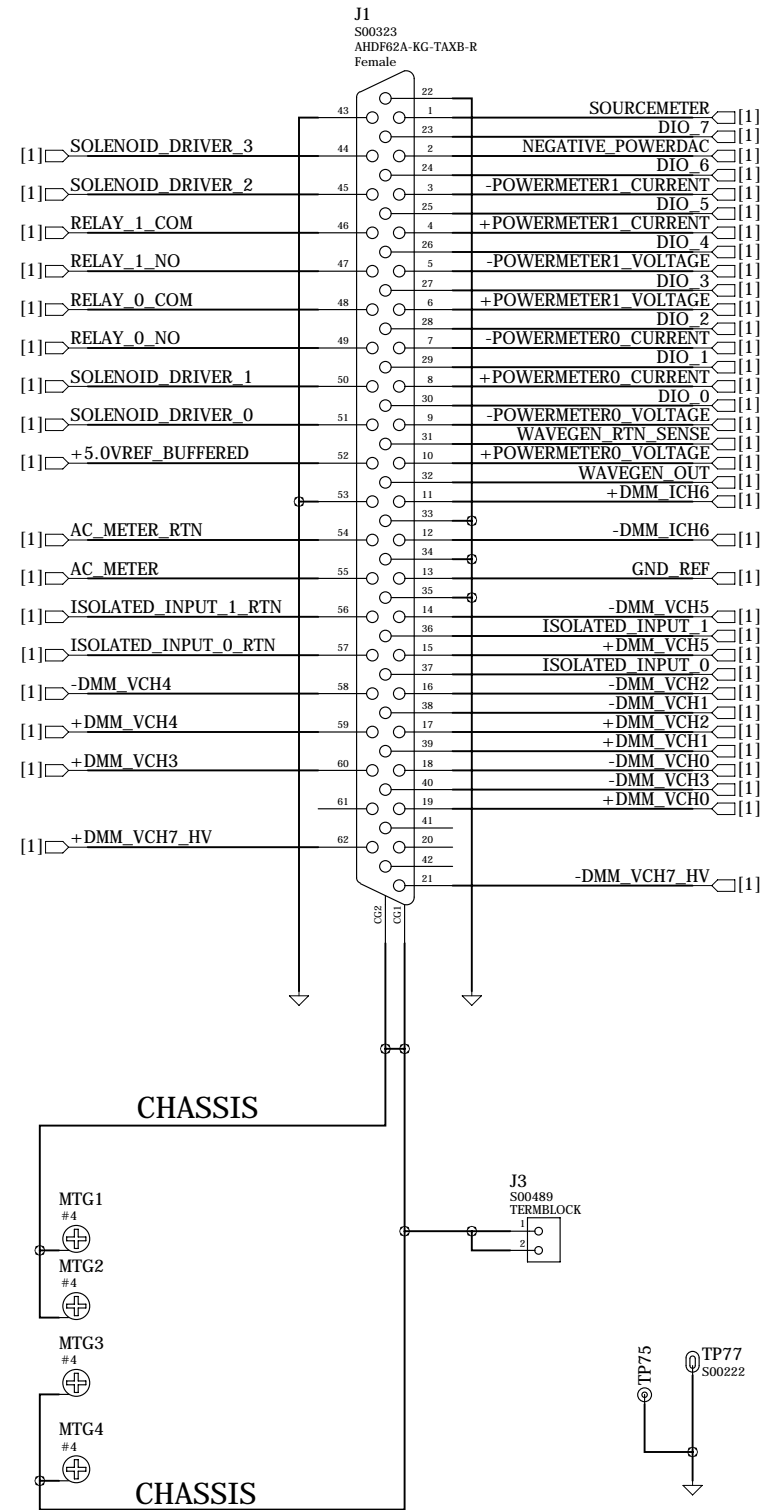
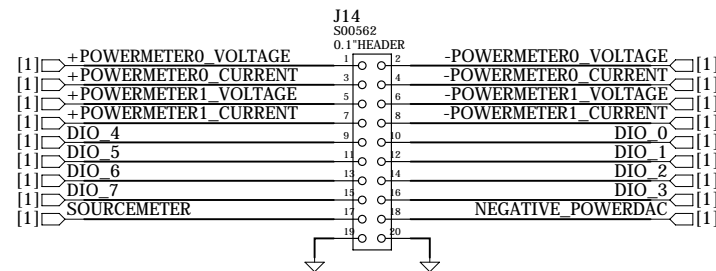
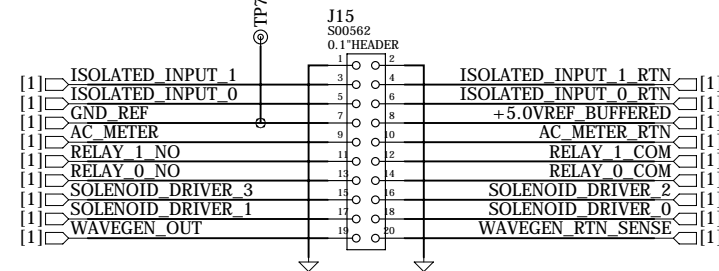


ANALOG BREAKOUT

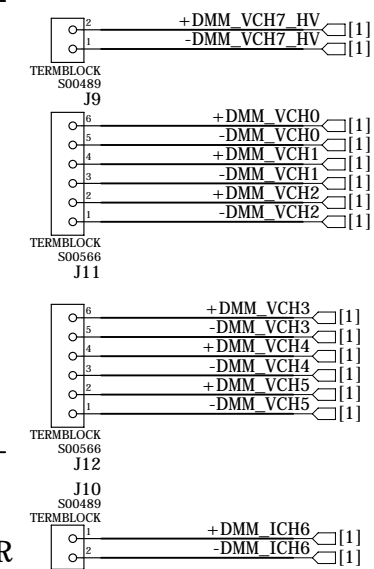
FROM ANALOG DECK



0.1" PITCH PROTOTYPING HEADERS



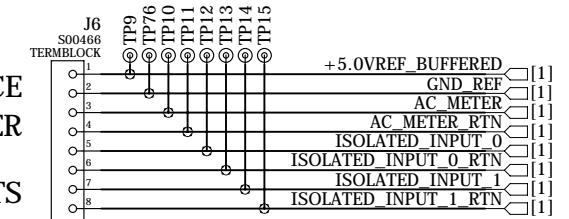
VOLTMETERS



CURRENT METER

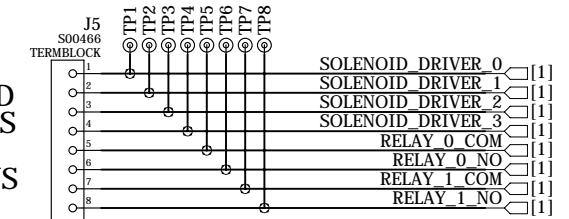
5.0V REFERENCE AC METER

ISOLATED INPUTS

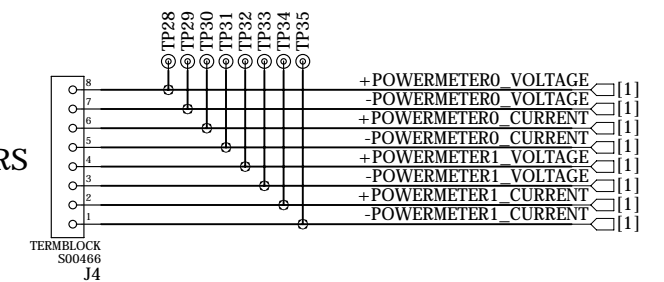


SOLENOID DRIVERS

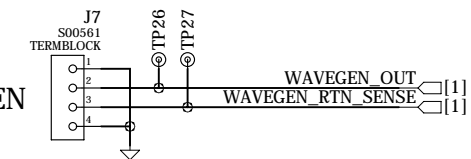
RELAYS



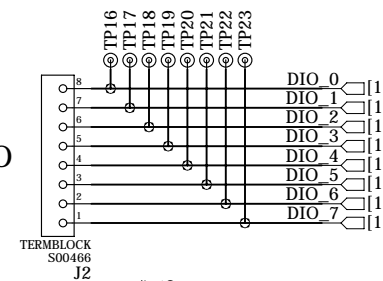
POWERMETERS



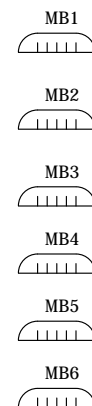
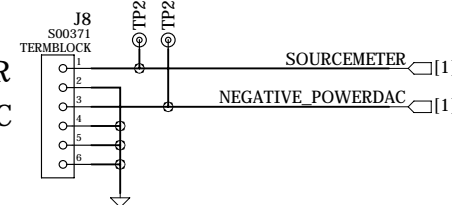
WAVEGEN



DIGITAL I/O



SOURCEMETER NEGATIVE POWERDAC



Proprietary Information Property Subinital LLC
All Rights Reserved
Not authorized for reproduction without express written consent from Subinital LLC
SUBINITIAL LLC

File:		
Sheet:		
TITLE:	SD00146	
SIZE: B	Date: 8/9/2015	REV: C
KiCad E.D.A. eeschema (2013-03-31 BZR 4008)-stable		Id: 1 / 1